

# Tote Trolley Tray - Triple Column

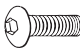




Code: EMTTT

## Contents

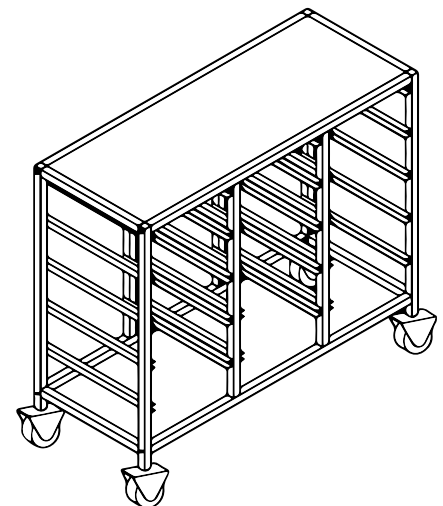
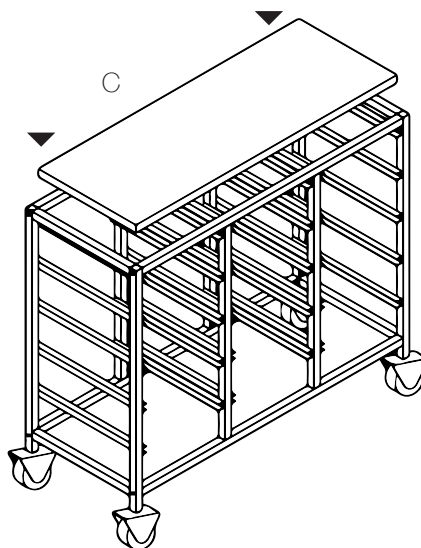
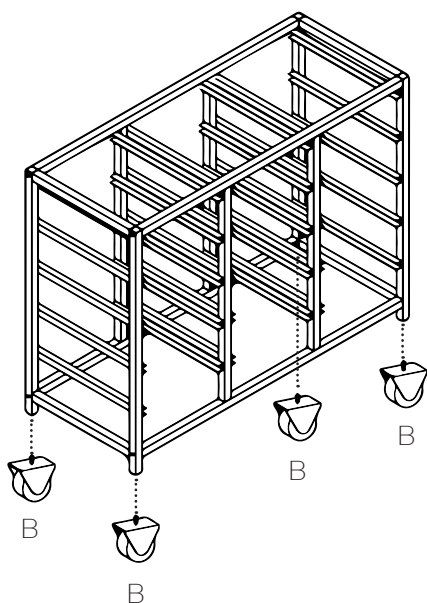
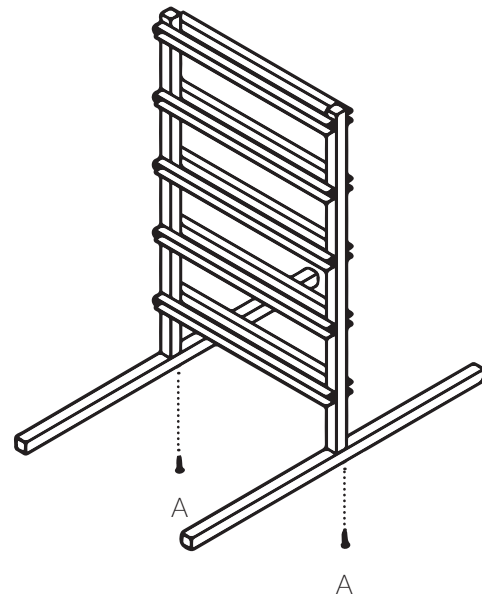
2x Top rails with holes for top shelf attachment  
2x Bottom rails  
2x End frames  
2x Centre frames  
1x Wooden top shelf  
16x 40mm M6 bolts  
4x Casters

## Hardware

|   |   |    |
|---|---|----|
| A |  | 16 |
| B |  | 4  |
| C |  | 1  |

## Unpack contents and lay out on the floor

1. Identify the top and bottom cross-rails - the top cross-rails have holes for attaching the top shelf
2. Take the two centre runner frames (with runners on both sides). Attach the two bottom cross-rails using bolt A. Do not fully tighten bolts.
3. Attach the two top cross-rails using bolt A. Do not fully tighten bolts.
4. Take the two end frames and attach the cross-rails using 8 x bolt A.
5. Screw the casters B to the bottom of the end frames.
6. Place the wooden shelf (preferred surface facing up) within the recess created by the top of the frame.
7. Fully tighten all bolts. Turn unit upright and insert your selection of our colourful tote trays.



### NSW Head Office

5 Liberty Rd,  
Huntingwood,  
NSW 2148

### QLD

17 Moonbi Street  
Brendale,  
QLD 4500

### VIC

U13, 69 Mark Anthony Dr,  
Dandenong South  
VIC 3175

### WA

47 Abbott Road,  
Perth Airport  
WA 6105

### NZ

49 Station Rd,  
Papatoetoe, Auckland NZ  
2025